

NOCTURN®

UltraViolet Visual Effects

Model N250FL6

250 Watt Flood Fixture
projects 92° Beam Spread at 100 feet

Model N250SL6

250 Watt Spot Fixture
projects 50° Beam Spread at 150 feet

Your assurance that the TOTAL EFFECT will be TOTALLY RIGHT. For premier quality blacklight effects, the magic is in the mix. A mix of very special elements – including the blacklight source itself, the full range creative materials, and the ability of each piece to work as part of a team in today’s challenging and often complex lighting and visual effects environments.

Each element must be right. Each element must be designed with the TOTAL EFFECT in mind.

Fixtures as well as lamps must be precision-engineered for “clean” blacklight, with output concentrated at precisely the wavelength in the UV-A range. That assures safety and true expression of fluorescent color, without the telltale blue-violet haze of yesterday’s blacklight technology.

Each and every **Nocturn** product has been carefully engineered and quality tested with the EFFECT in mind. For an effect that is totally right, trust only **Nocturn** – the total blacklight company.



- ✓ Advanced ATek™ reflector technology engineered for superior UV intensity per watt
- ✓ Environmentally sealed, preventing water from leaking in and extraneous light from leaking out
- ✓ Intelligently designed for easy field serviceability
- ✓ All fixtures include easy-adjust mounting bracket, omnidirectional clamp, convenient carry handle, integral accessory mounts, safety cable and lens safety screen
- ✓ Tempered black glass Nocturn filter combines safety with performance, blocking passage of both harmful short-wave UV and unwanted visible light
- ✓ Hinged front allows quick, easy, and safe access to lamp
- ✓ Elapsed hour meter monitors lamp life to insure intensity is always at its peak

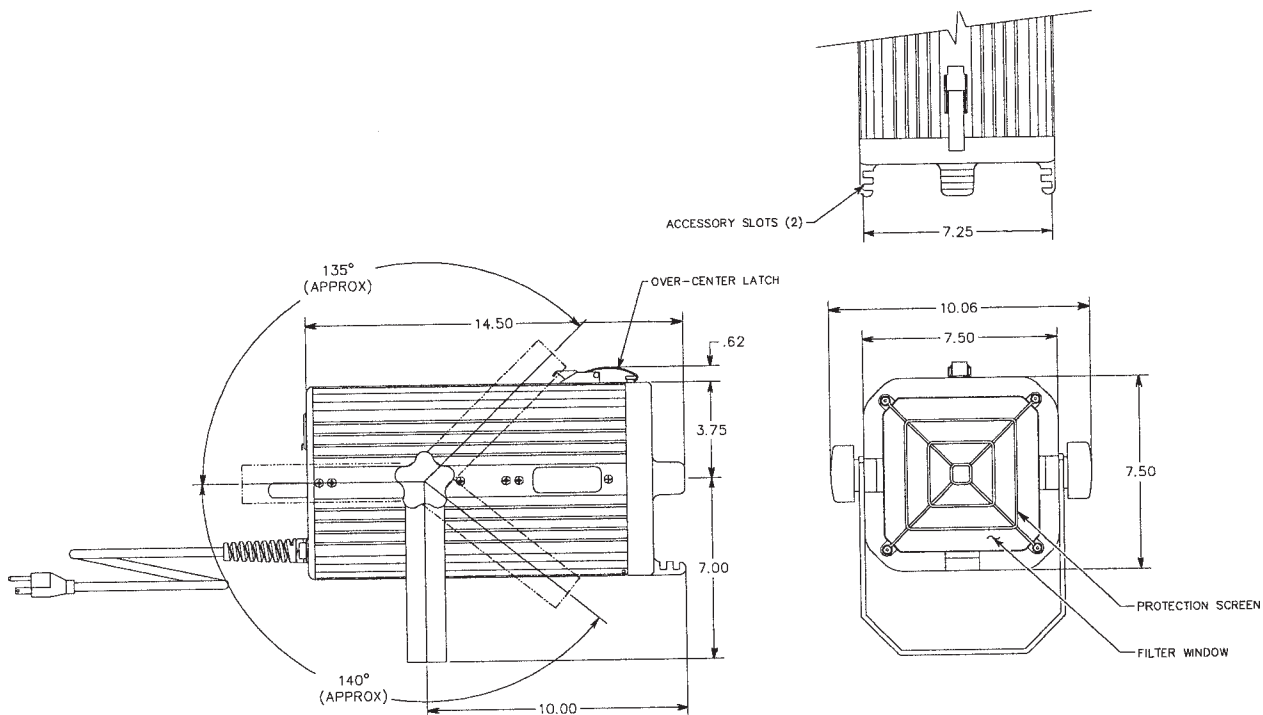
Model N250FL6

250 Watt Flood

Model N250SL6

250 Watt Spot

NOCTURN



8.75 in. x 7.5 in. x 14.5 in. (22.2cm x 19 cm x 36.8 cm)

Weight: 23 lb. (10.4 kg)

Electrical: 110-120 V.AC, 60 Hz. (230 V.AC, 50 Hz. model available)

Lamp: Nocturn No. 3130009

For the best results from your Nocturn fixture, insist on genuine **Nocturn** Fluorescent Media:

FLUORESCENT PAINTS

- Pigmented Fluorescent Paint
- Invisible Fluorescent Paint
- Invisible Fluorescent Clear Coat
- Protective Sealer

FLUORESCENT PLASTICS

- Glowline™ Fluorescent PVC Plastic Line, solid or hollow
- Glowform™ Fluorescent Acrylic Rod
- Light Chips™ Fluorescent Plastic Bits

Strong Entertainment Lighting

4350 McKinley Street • Omaha, Nebraska 68112 USA

Tel 402.453.4444 • Fax 402.453.7238 • www-strong-lighting.com